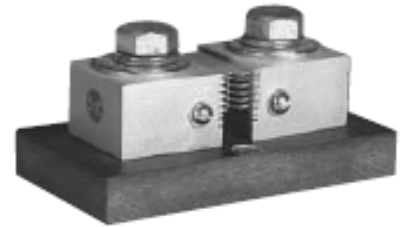
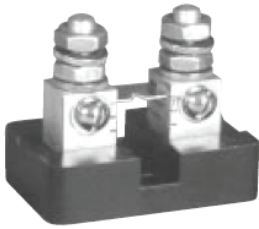


# Crompton Instruments 870 Series DC Shunts

Crompton Instruments 870 series DC shunts are built to U.S. Military Specification A-A-55524 which supersedes MIL-S-61B

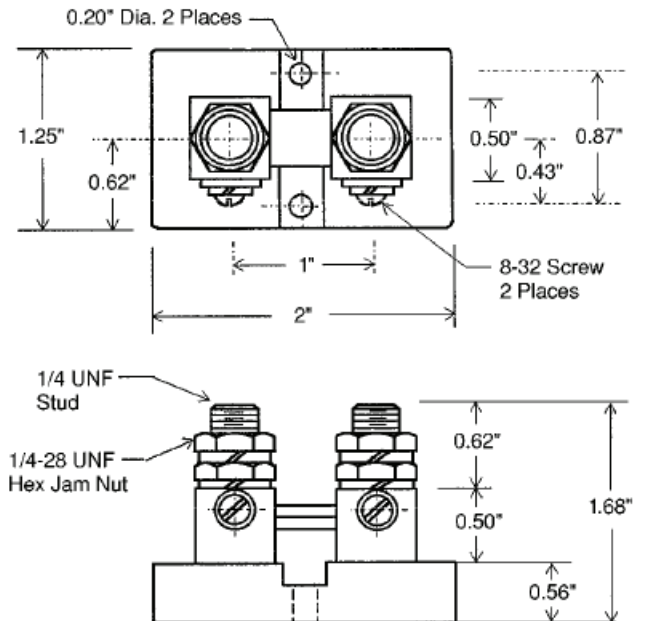
Standard accuracy is +/- 0.25%

Ask your Crompton instruments representative about the various input and output options available.



## Model 871 (5 Amps to 150 Amps)

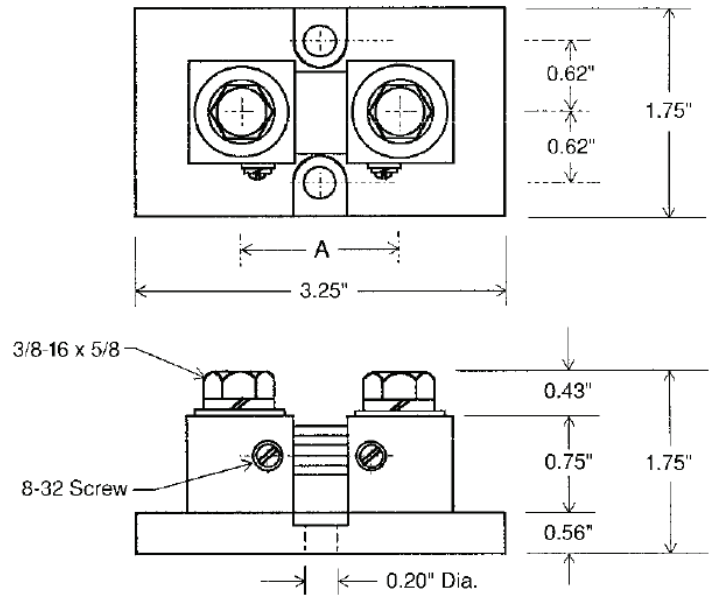
Rating	Part Number
5A / 50mV	<b>871-92VU-LSEC</b>
10A / 50mV	<b>871-92VU-MTEC</b>
15A / 50mV	<b>871-92VU-NDEC</b>
20A / 50mV	<b>871-92VU-NGEC</b>
30A / 50mV	<b>871-92VU-NLEC</b>
50A / 50mV	<b>871-92VU-NTEC</b>
75A / 50mV	<b>871-92VU-PBEC</b>
80A / 50mV	<b>871-92VU-PDEC</b>
85A / 50mV	<b>871-92VU-PGEC</b>
100A / 50mV	<b>871-92VU-PKEC</b>
150A / 50mV	<b>871-92VU-PZEC</b>



# Crompton Instruments 870 Series DC Shunts

## Model 872 (170 Amps to 600 Amps)

Rating	Part Number
170A / 50mV	<b>872-92VU-RDEC</b>
200A / 50mV	<b>872-92VU-RLEC</b>
250A / 50mV	<b>872-92VU-RSEC</b>
300A / 50mV	<b>872-92VU-RXEC</b>
400A / 50mV	<b>872-92VU-SCEC</b>
450A / 50mV	<b>872-92VU-SDEC</b>
500A / 50mV	<b>872-92VU-SFEC</b>
600A / 50mV	<b>872-92VU-SJEC</b>



## Model 873 (800 Amps to 1200 Amps)

Rating	Part Number
800A / 50mV	<b>873-92VU-SNEC</b>
1000A / 50mV	<b>873-92VU-SSEC</b>
1200A / 50mV	<b>873-92VU-SUEC</b>

